

ANSI 150# FLANGED STYLE SIGHT GLASS SERIES NW-RF |

PAPAILIAS 150# ANSI B16.5 flanged sight glasses Series NW-RF (Bolt-on) are offered for pipe sizes of 1", 1½", 2", 3", 4", 5", 6", 7", and 8". Larger sizes and custom configurations are available upon request. PAPAILIAS ANSI flanged sight glasses Series NW-RF are fabricated from ASME Section VIII acceptable metals and can be supplied with CMTR's upon request.

Each sight glass is thoroughly inspected and will provide long and useful service under the most demanding processing conditions. ASME code calculations and any resulting additional material needed to reinforce sight glass opening to meet ASME code is the responsibility of the buyer.

DESIGN CONDITIONS:

Pressure: Up to 150PSIG/FV @500°F depending on size, lens type and gasket material. Higher pressure ratings available. Consult factory for details.

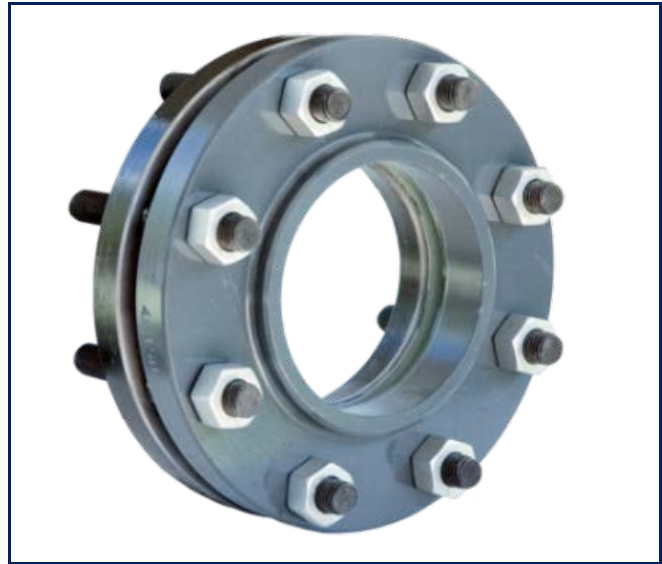
Temperature: Tempered Soda Lime Glass, ≤ 300°F
 Tempered Borosilicate Glass, ≤ 500°F
 Fused Quartz Glass, >500°F
 Lexan/Acrylic (Non-Glass), ≤ 200°F

STANDARD MATERIALS OF CONSTRUCTION:

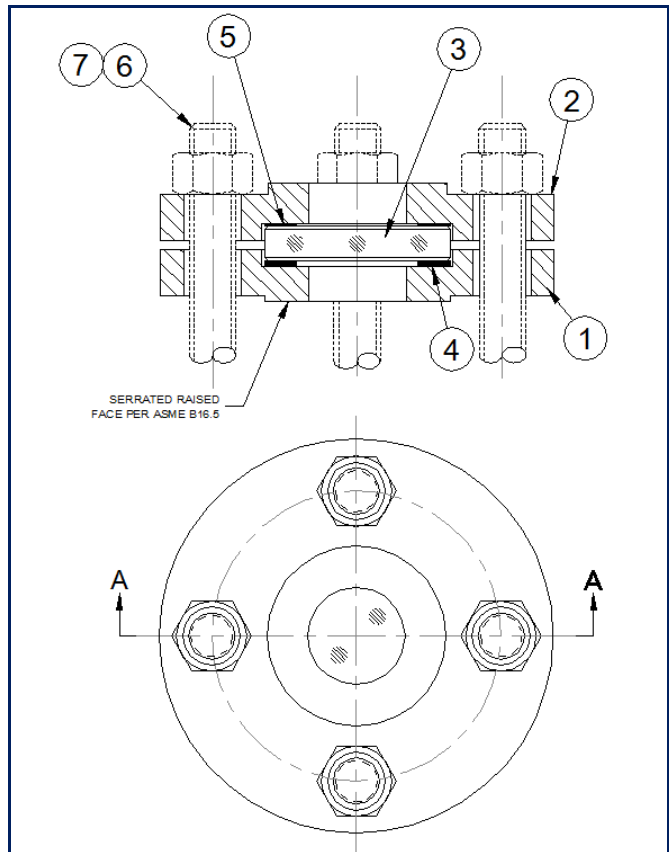
Item	Description	Material
1, 2	Lower Flange, Lens Retainer	SA105; Carbon Steel SA182; SA240 T304/304L SST SA182; SA240 T316/316L SST
3	Lens	Tempered Soda Lime Glass, ≤ 300°F Tempered Borosilicate Glass, ≤ 500°F Fused Quartz Glass, >500°F Lexan/Acrylic (Non-Glass), ≤ 200°F
4	Seal Gasket	EPDM Elastomer [300°F Max] Expanded PTFE [500°F Max] Fluoroelastomer [400°F Max] Graphite [>500°F] Other upon request
5	Cushion	Non-Asbestos Fiber, or Other
6	Stud	Not Included (optional)
7	Hex Nut	Not Included (optional)

DOCUMENTATION:

- a. Certified Material Test Report [CMTR] for lower flange
- b. Certificate of Compliance [upon request]
- c. CMTRs for Lens Retainers & Fasteners [upon request]



PAPAILIAS, Inc. Series NW-RF
 150# ANSI Raised Face Flanged Flange Style Circular Sight Glass

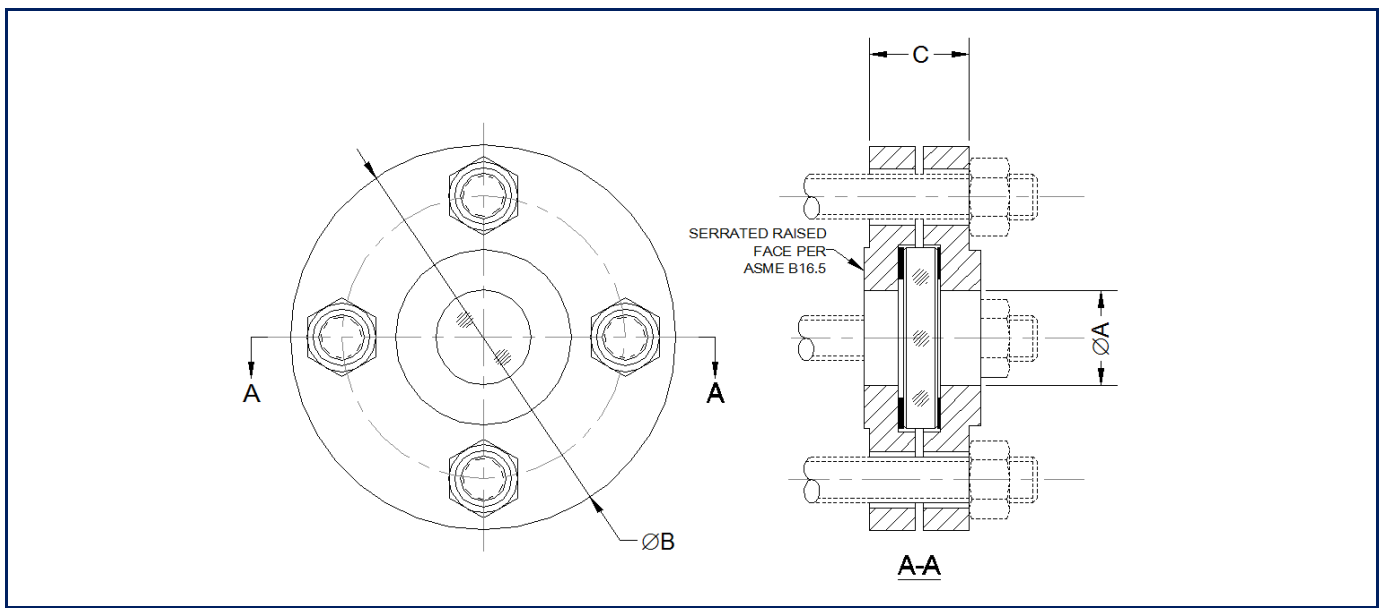


PAPAILIAS, Inc. Series NW-RF
 Schematic View

OPTIONAL ACCESSORIES:

- a. Series PL, MSL, SLEX, REX, FIBERLUX
- b. Type I Window Wipers.
- c. Type 3 Spray Rings

DATA SHEET | ANSI 150# FLANGED (BOLT-ON) SIGHT GLASSES SERIES NW-RF



SIZE	MAX. PRESSURE	NO. BOLTS/SIZE	A	B	C	EST. WEIGHT
1"NW-RF	150PSIG/FV	[4x] 1/8"	1-1/16"	4-1/4"	1-1/6"	6 Lbs
1½"NW-RF	150PSIG/FV	[4x] 1/8"	1-15/16"	5"	1-1/2"	9 Lbs
2"NW-RF	150PSIG/FV	[4x] 5/8"	2-7/16"	6"	1-5/8"	13 Lbs
3"NW-RF	150PSIG/FV	[4x] 5/8"	3-1/16"	7 ½"	2-1/16"	18 Lbs
4"NW-RF	125PSIG/FV	[8x] 5/8"	4-9/16"	9"	2-1/8"	26 Lbs
5"NW-RF	150PSIG/FV	[8x] 3/4"	5-1/16"	10"	2-1/16"	32 Lbs
6"NW-RF	150PSIG/FV	[8x] 3/4"	6-11/16"	11"	2-1/4"	35 Lbs
8"NW-RF	125PSIG/FV	[8x] 3/4"	8-11/16"	13-1/2"	2-3/4"	60 Lbs

ORDERING INFORMATION:

	/		/		/		/	
--	---	--	---	--	---	--	---	--

Illuminator Option:

- PL80 [for 3"]
- PL100 [for 4"]
- PL125 [for 5"]
- PL175 [for 6"]
- PL225 [for 8"]
- MSL-100
- MSL-HI-LED
- SLEX-100
- REX-100
- SLEX-HI-LED

Size:

- 1" NW-RF
- 1½" NW-RF
- 2" NW-RF
- 3" NW-RF
- 4" NW-RF
- 5" NW-RF
- 6" NW-RF
- 8" NW-RF

Weld Pad:

- CS - SA516 Gr70
- 304 - 304/304L SST
- 316 - 316/316L SST
- C22 - Alloy C22
- C276 - Alloy C276
- A20 - Alloy 20
- Other - Specify

Lens Retainer:

- CS - SA516 Gr70
- 304 - 304/304L SST
- 316 - 316/316L SST
- C22 - Alloy C22
- C276 - Alloy C276
- A20 - Alloy 20
- Other - Specify

Lens:

- TSL - Temp Soda Lime
- TBS - Temp Borosilicate
- QTZ - Fused Quartz
- ACR - Cast Acrylic
- LEX - Polycarbonate
- Other - Specify

Seal Gasket:

- EPDM - EPDM
- TFE - ePTFE
- FKM - Viton/FKM
- SIL - Silicone
- NEO - Neoprene
- GPH - Graphite
- Other - Specify

--	--

Option 1:

TY1WW - Type 1 Wiper

--	--

Option 2:

TY3SW - Type 3 Spray Washer/Ring

Note: ASME code calculations and any resulting additional material needed to reinforce sight glass opening to meet ASME code is the responsibility of the buyer.

Sample Part #: SLEX-HI-LED/6"NW-RF/304/304/TBS/TFE/TY3SW
 6" NW-RF Raised Face Flanged Style Sight Glass with 304/304L Stainless Steel Raised Face Flanged Flange & Lens Retainer. Tempered Borosilicate Glass Lens, Expanded PTFE Seal Gasket. Fitted with SLEX-HI-LED Light Fixture and Type 3 Spray Ring.